

FEDERAL SUPPLY CLASS  
4730

REV.  
F

AS1300™

RATIONALE

CORRECT TYPO FOR COUNTERSINK FINISH IN FIGURE 2, VIEW Z. COMPANY NAME CHANGE IN NOTE 4.

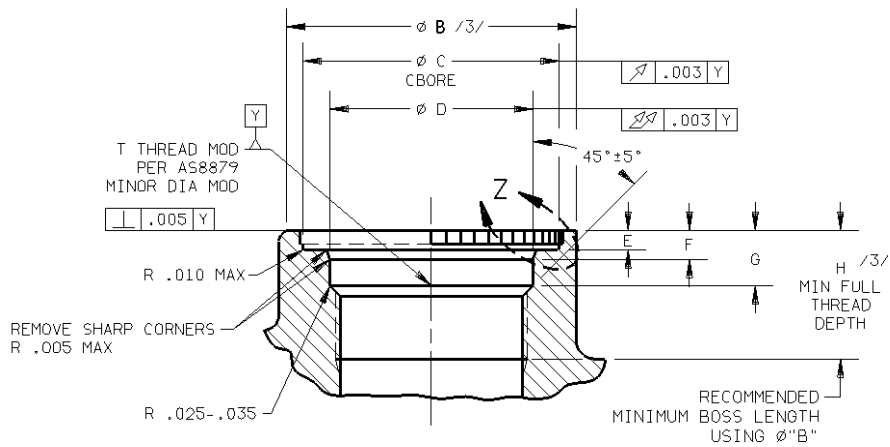
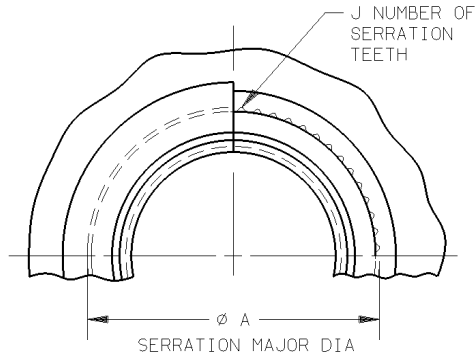


FIGURE 1

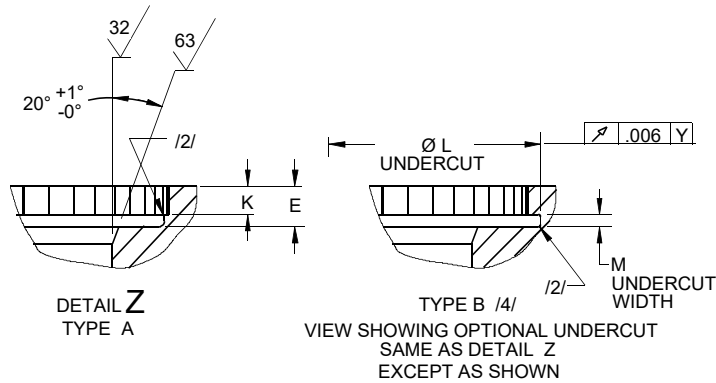
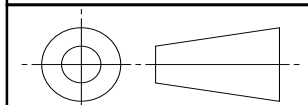


FIGURE 2

SAE values your input. To provide feedback on this Technical Report, please visit <http://standards.sae.org/AS1300F>

THIRD ANGLE PROJECTION



CUSTODIAN: G-3/G-3B

PROCUREMENT SPECIFICATION: NONE



AEROSPACE STANDARD

PORT - RING LOCKED FLUID CONNECTION TYPE STANDARD DIMENSIONS FOR

AS1300™  
SHEET 1 OF 3

REV.  
F

SAE Technical Standards Board Rules provide that: "This report is published by SAE to advance the state of technical and engineering sciences. The use of this report is entirely voluntary, and its applicability and suitability for any particular use, including any patent infringement arising therefrom, is the sole responsibility of the user." SAE reviews each technical report at least every five years at which time it may be revised, reaffirmed, stabilized, or cancelled. SAE invites your written comments and suggestions.

ISSUED 1975-08 REAFFIRMED 2014-10 REVISED 2019-03